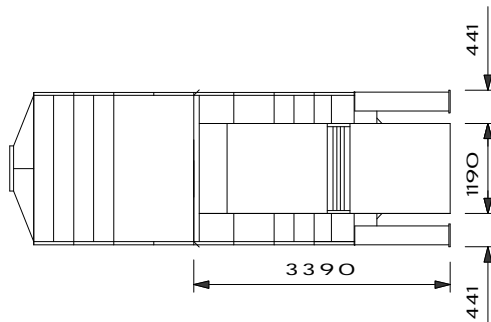
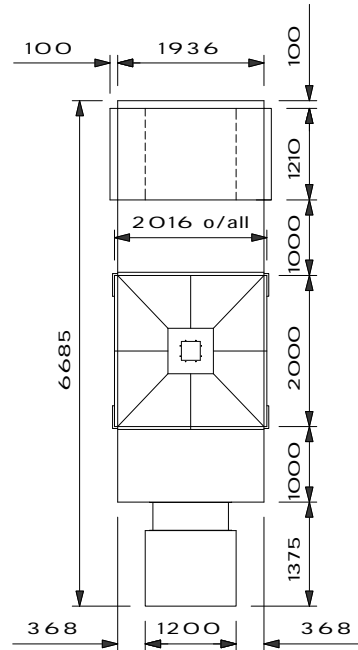
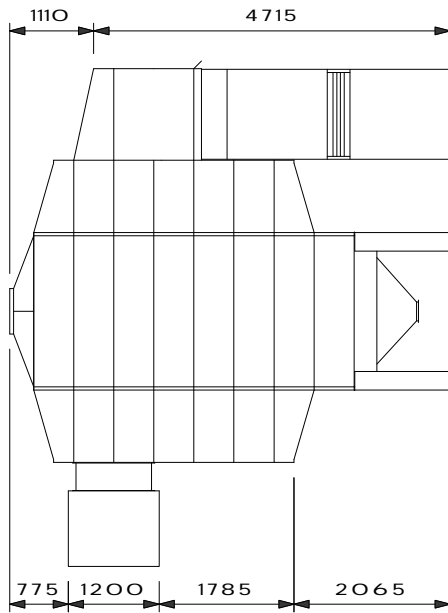
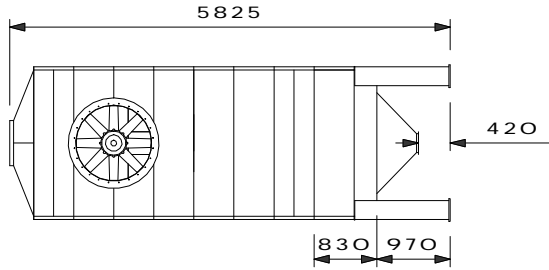
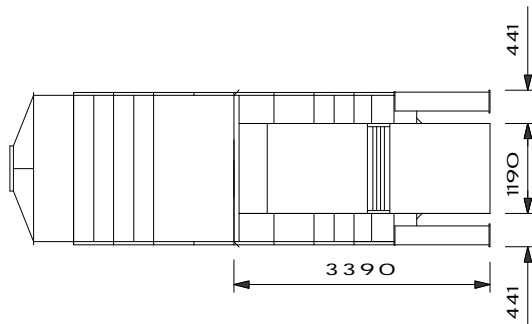
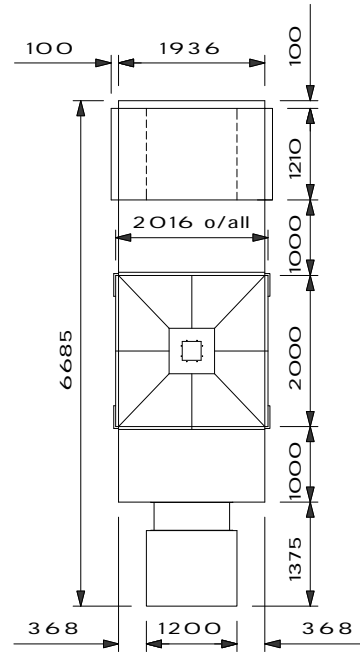
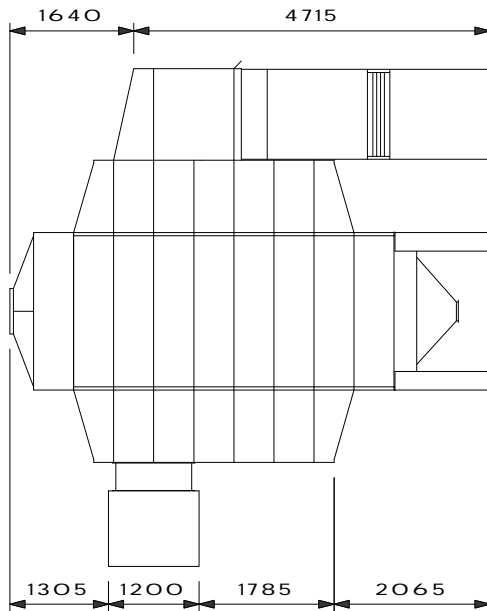
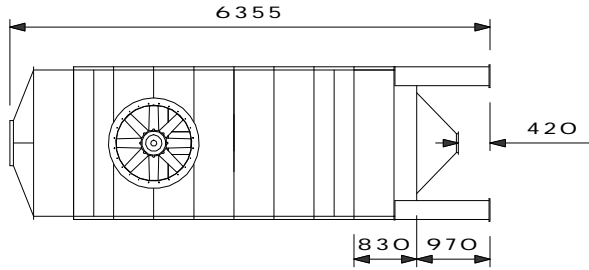


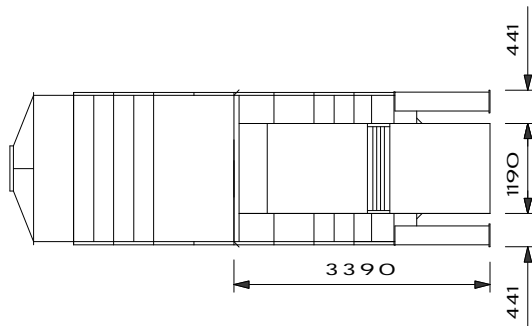
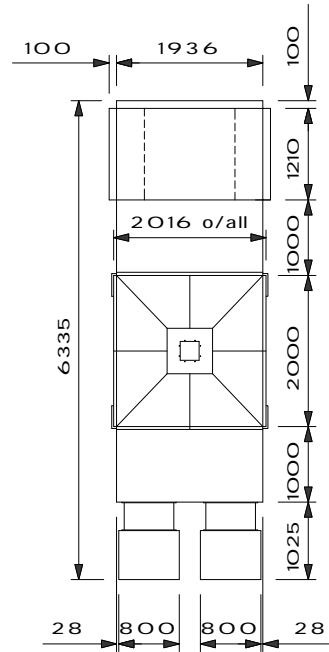
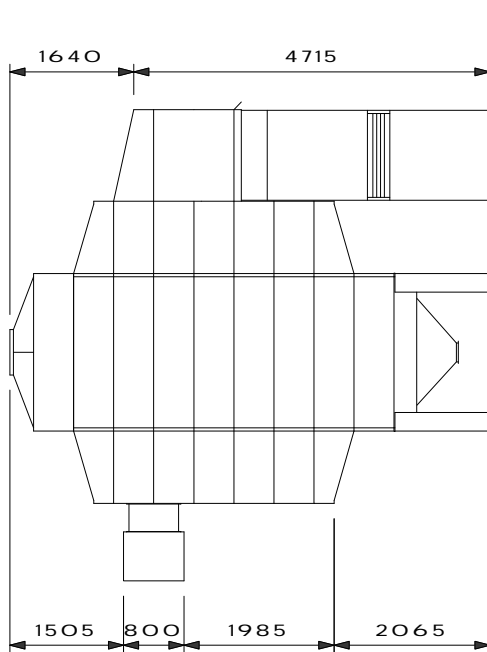
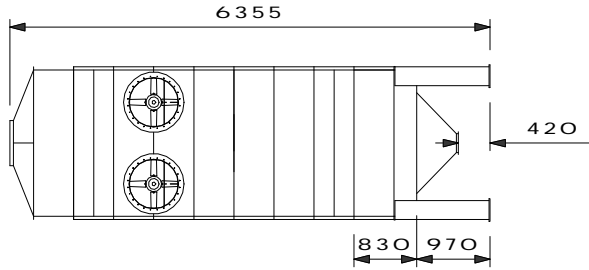
# CONTINUOUS MIXED FLOW GRAIN DRYERS

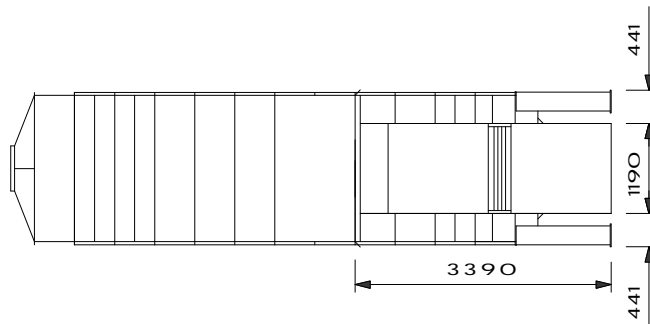
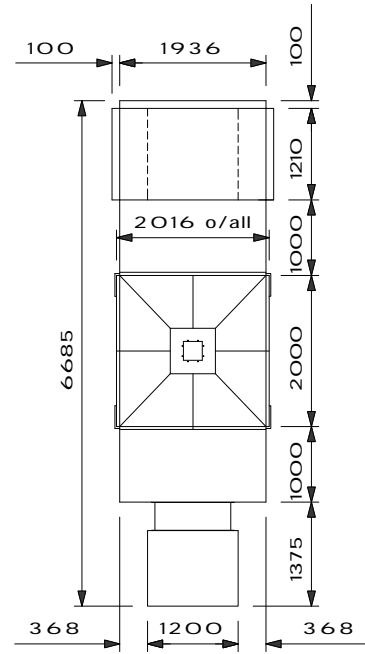
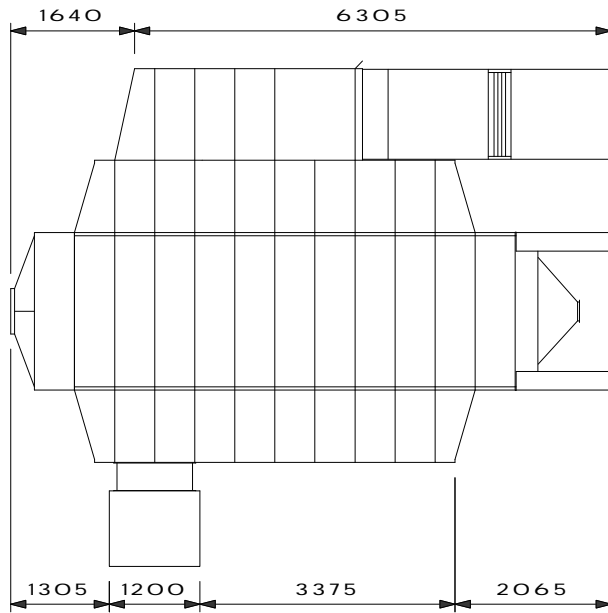
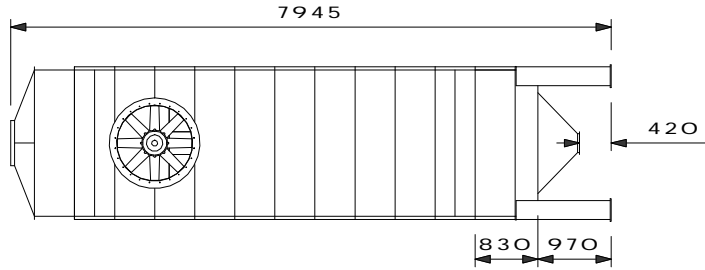
PLANNING IN DATA

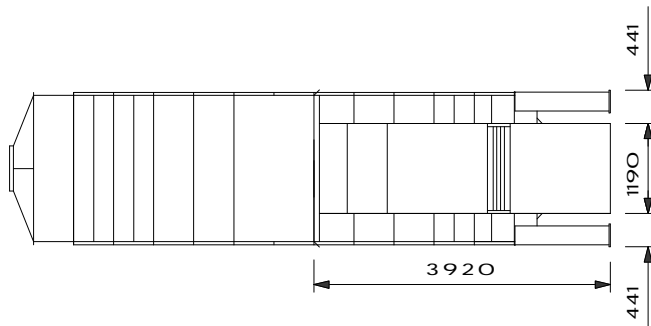
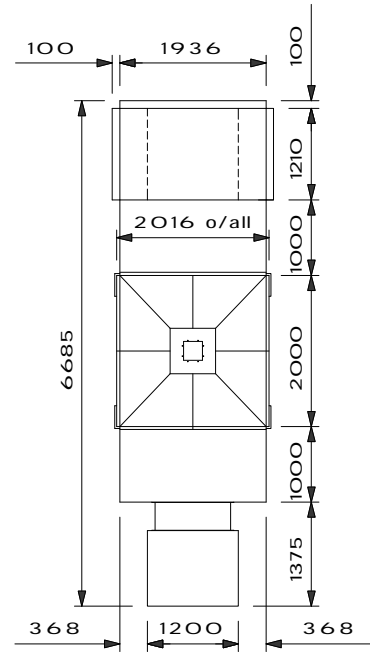
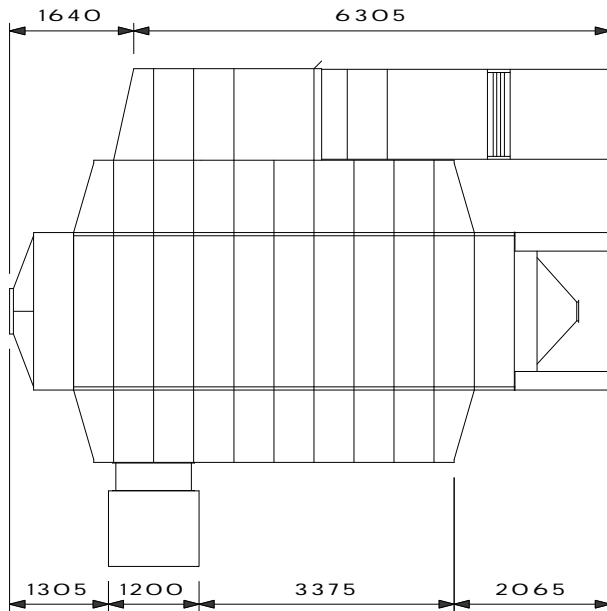
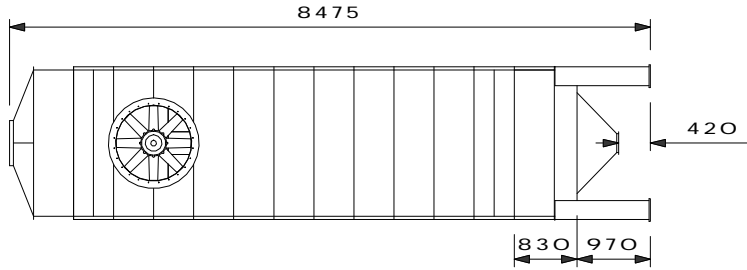




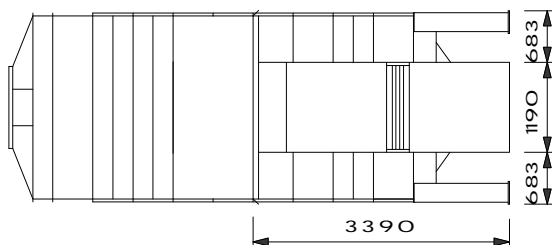
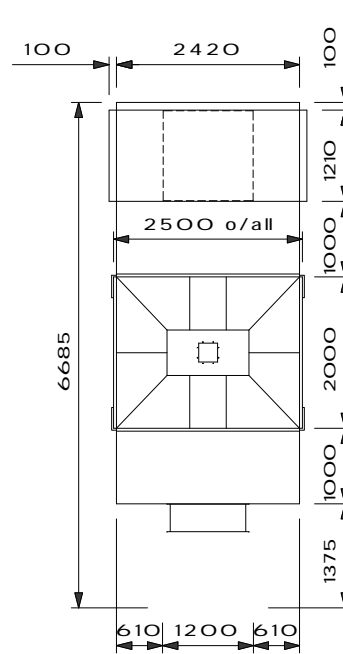
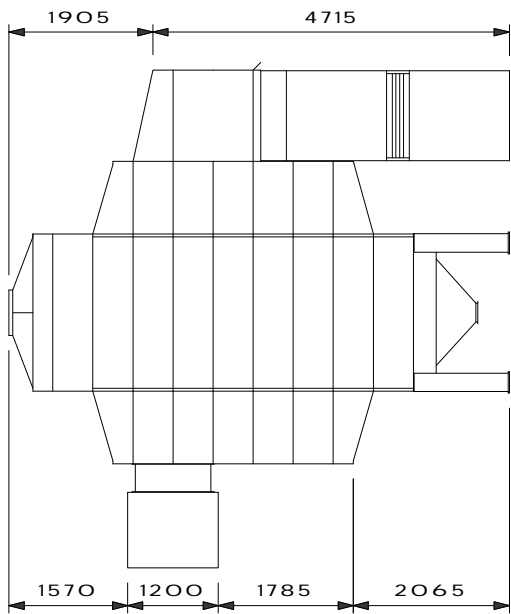
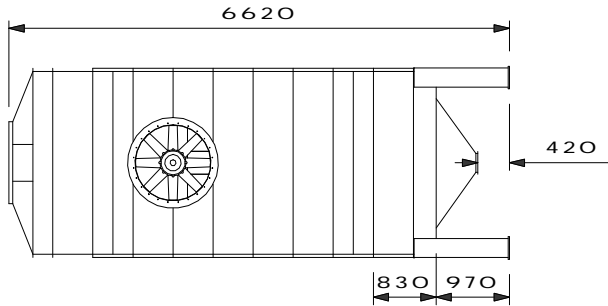


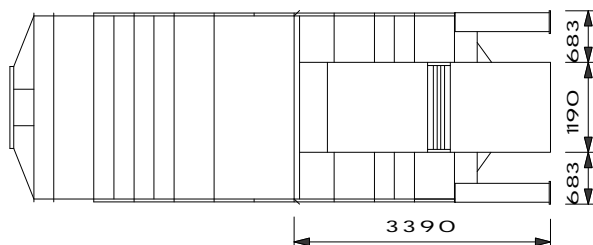
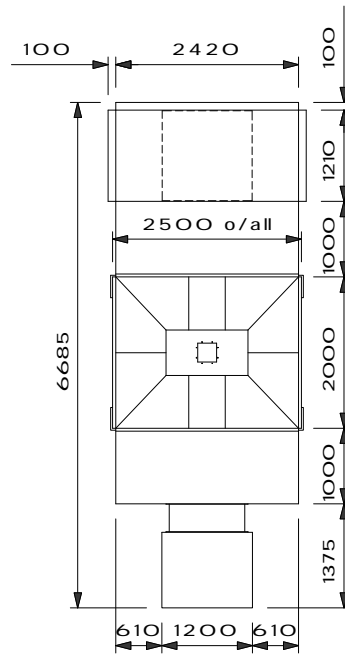
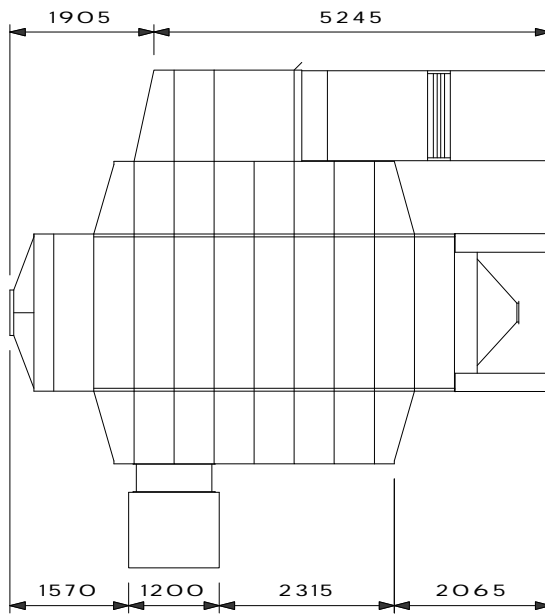
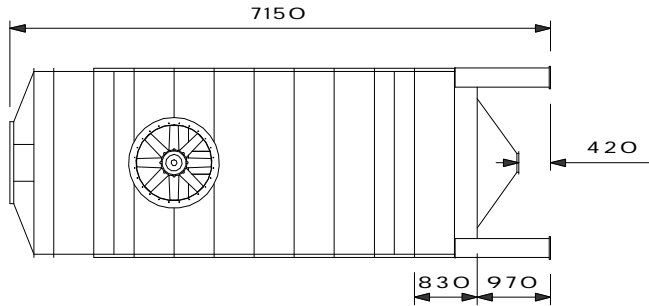






DO NOT SCALE - IF IN DOUBT ASK





Planning-in Drawing:

Dryer Model 1325 Standard  
for 460/230 split single phase

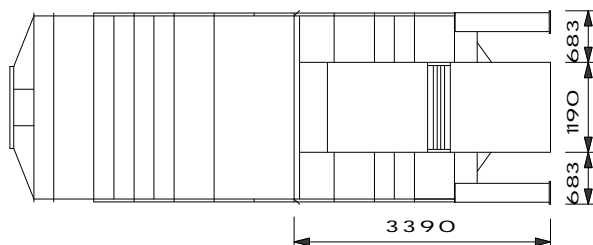
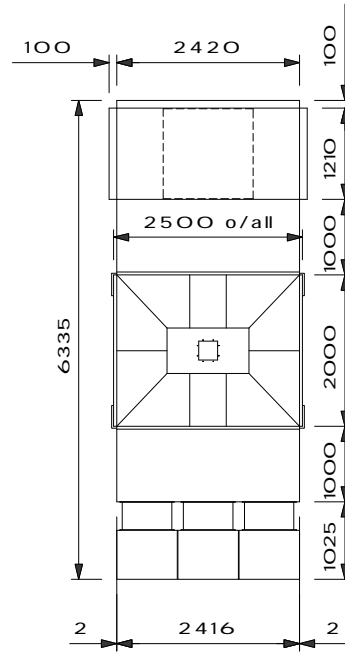
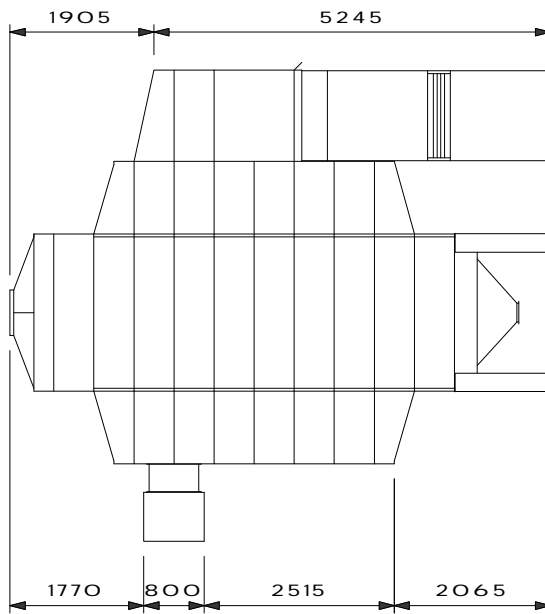
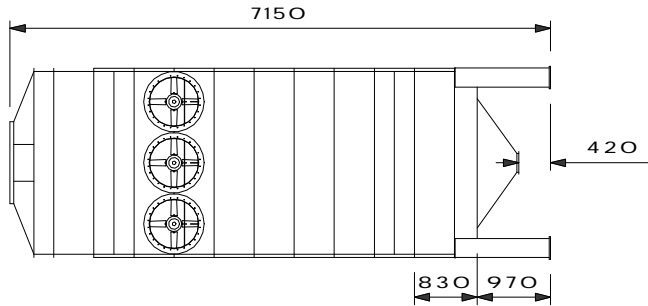
© Kentra Grain Systems Limited

Station Road, Kirk Hammerton, YORK YO26 8DN  
Tel: (01423) 330085 • Fax: (01423) 331347 • Email: info@kentra.co.uk

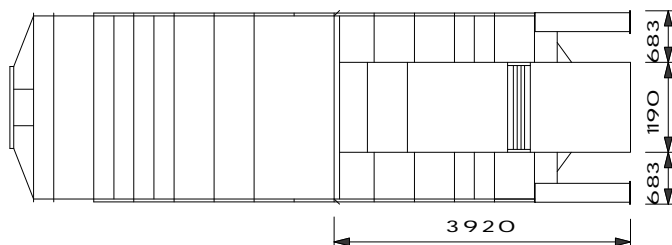
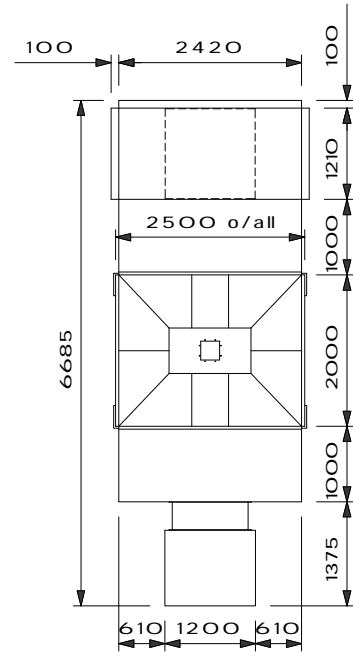
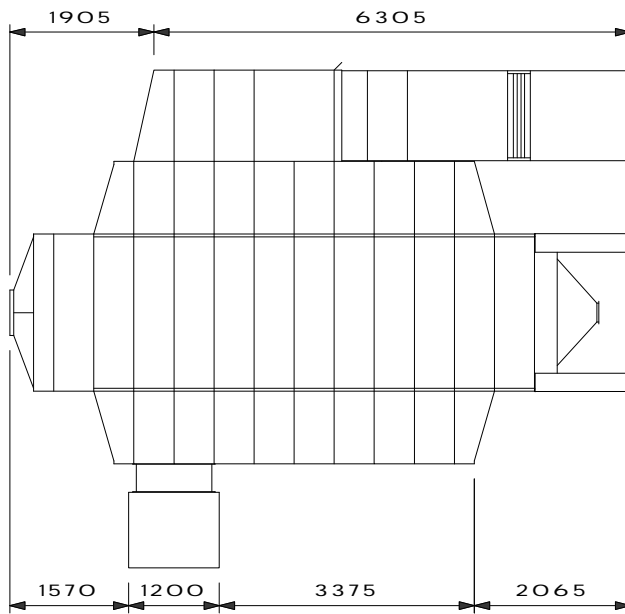
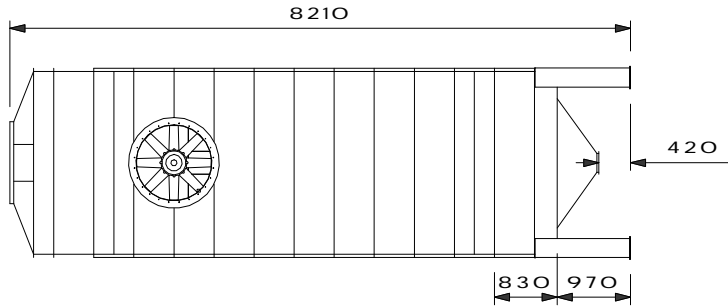
Scale: 1:100

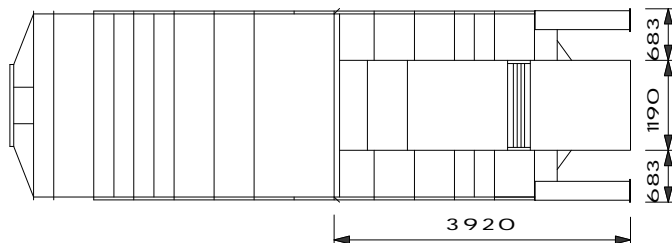
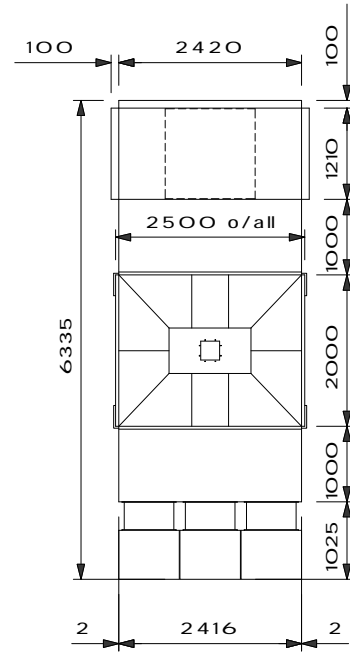
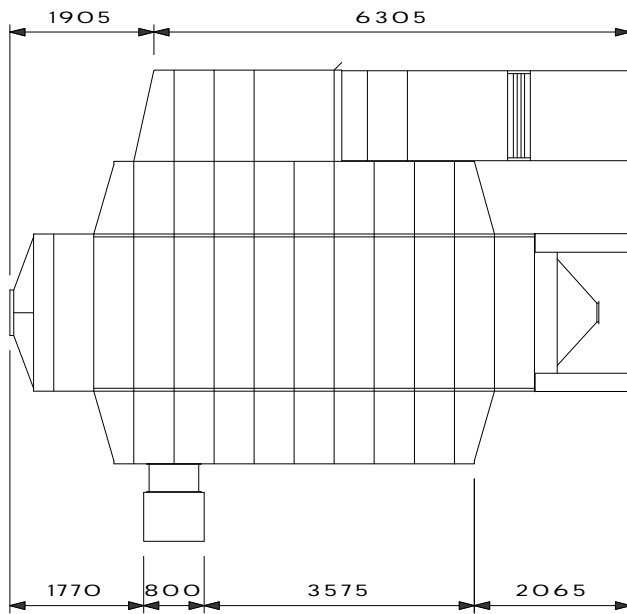
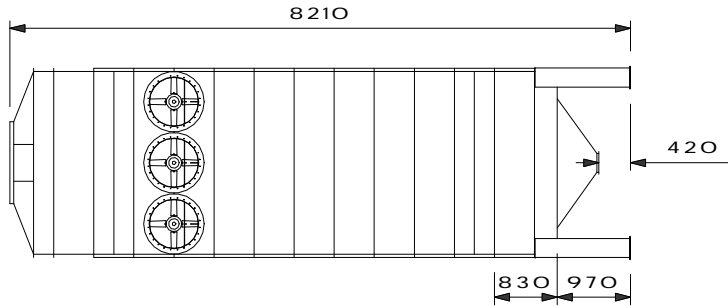
Date: 31/12/1999

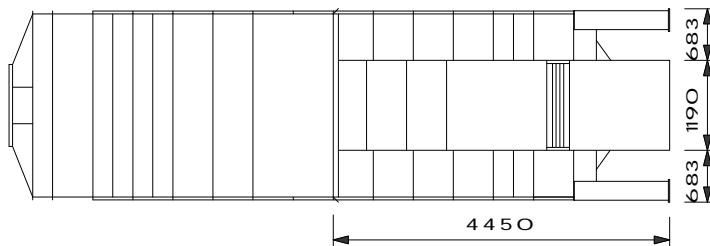
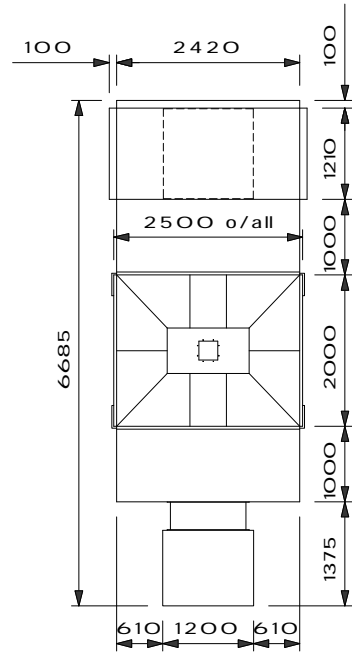
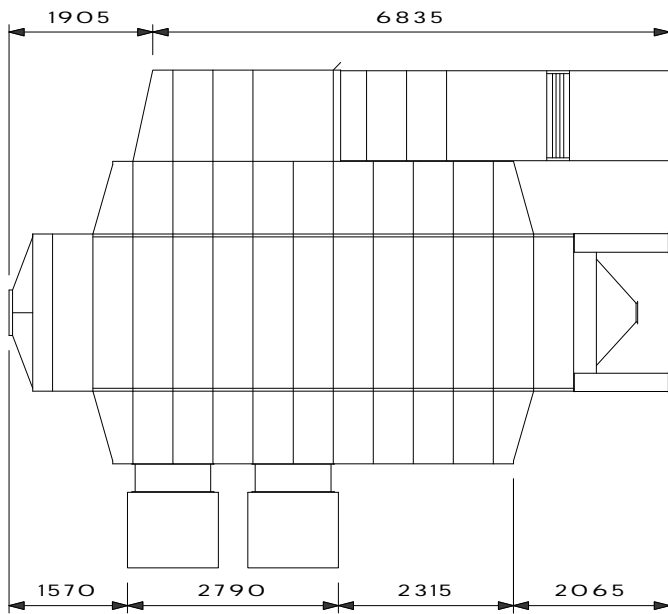
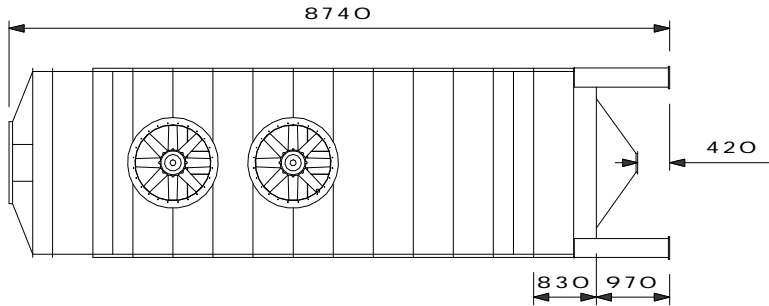
ORIGINAL  
A4  
SIZE

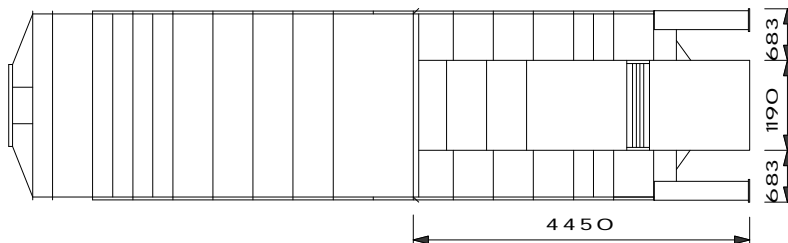
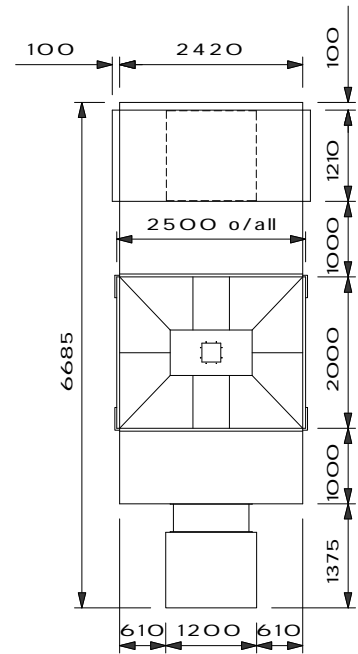
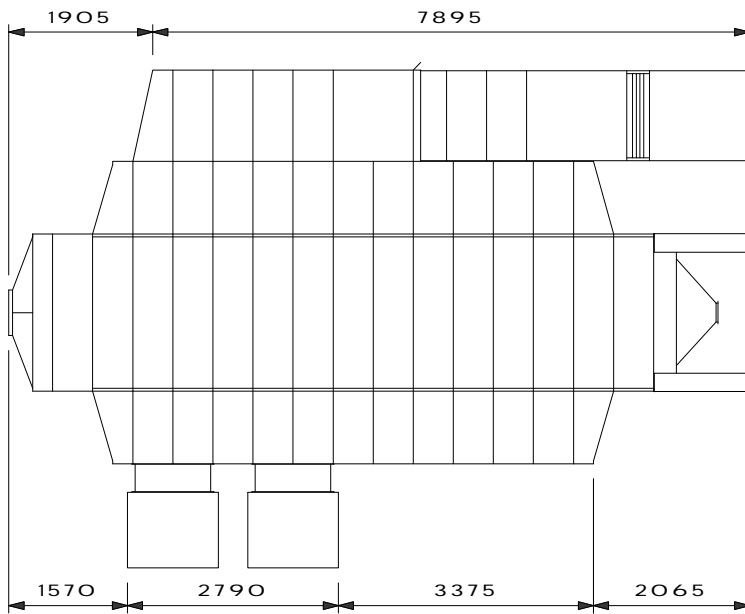
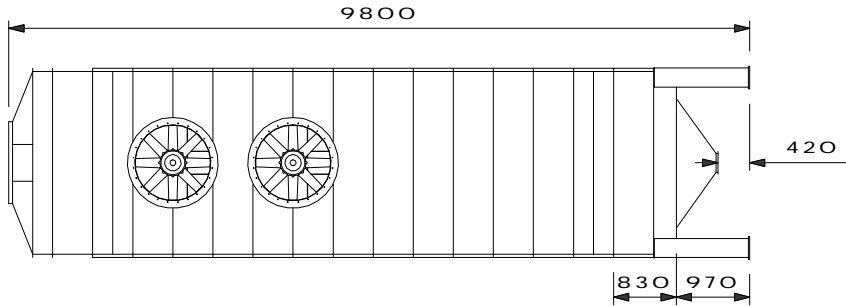


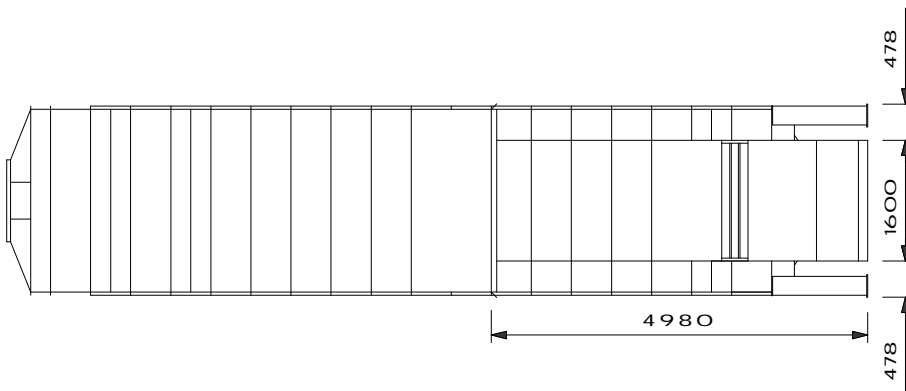
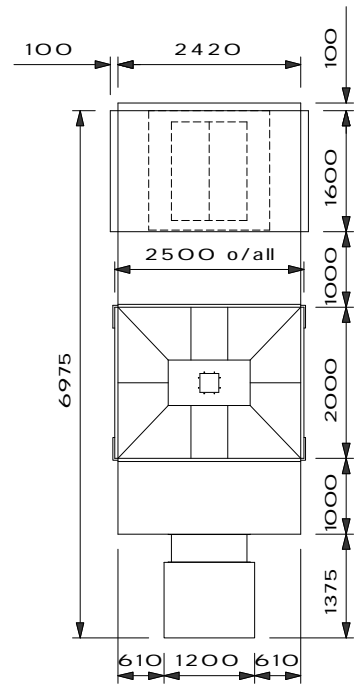
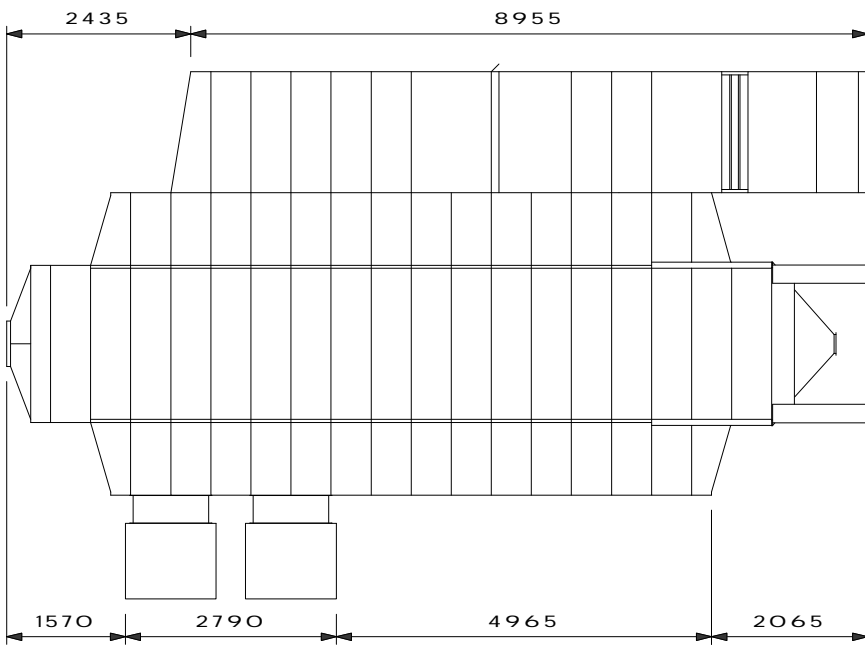
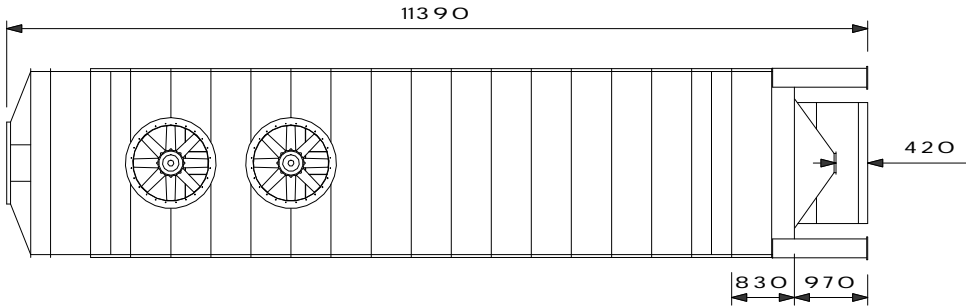
DO NOT SCALE - IF IN DOUBT ASK







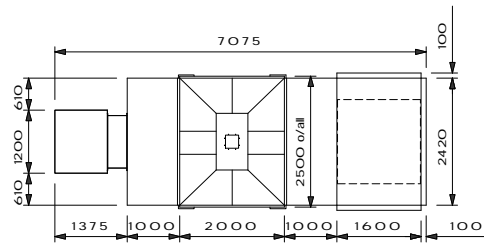
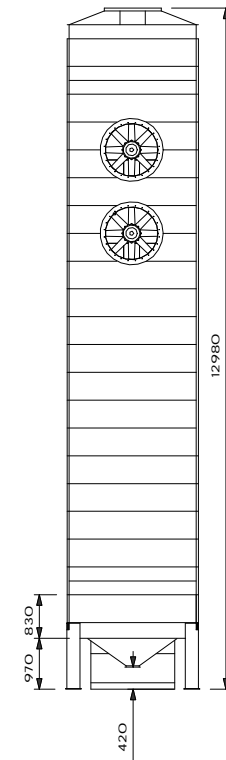
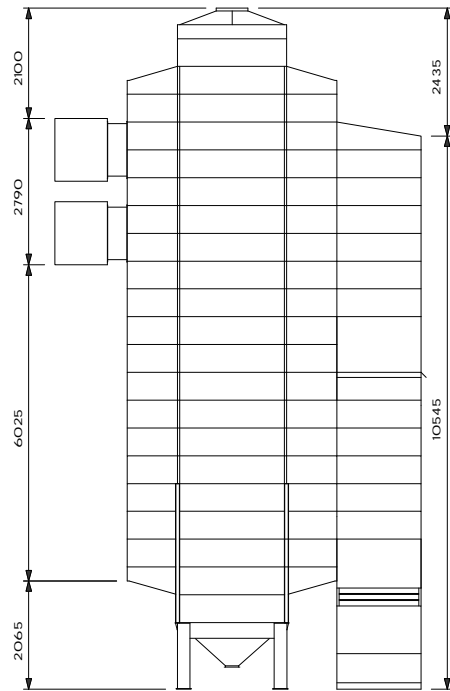
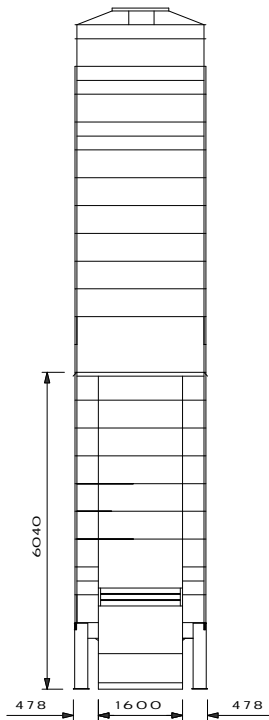
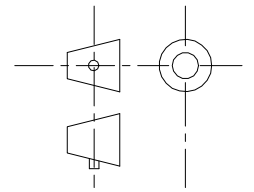




DO NOT SCALE - IF IN DOUBT ASK

DO NOT SCALE - IF IN DOUBT ASK

FIRST ANGLE PROJECTION



Finish:	N/A	
Material:	N/A	Scale: 1:100
Drawn by:	BJH	Drg No: N/A
Date:	16/11/2000	Rev No: 1.00

Title:  
Planning In Drawing 3125 Dryer

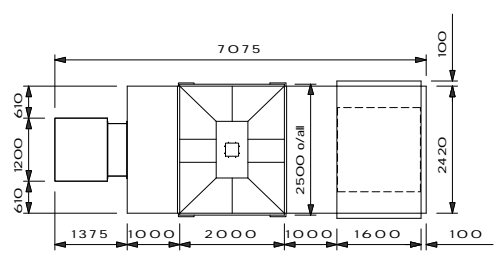
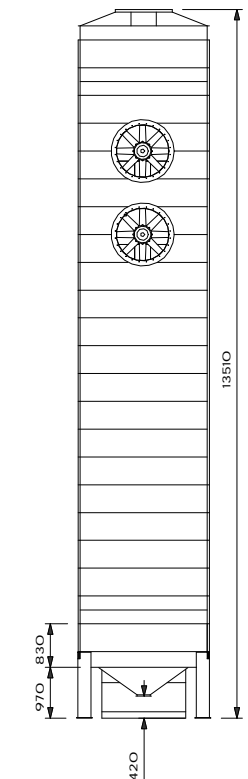
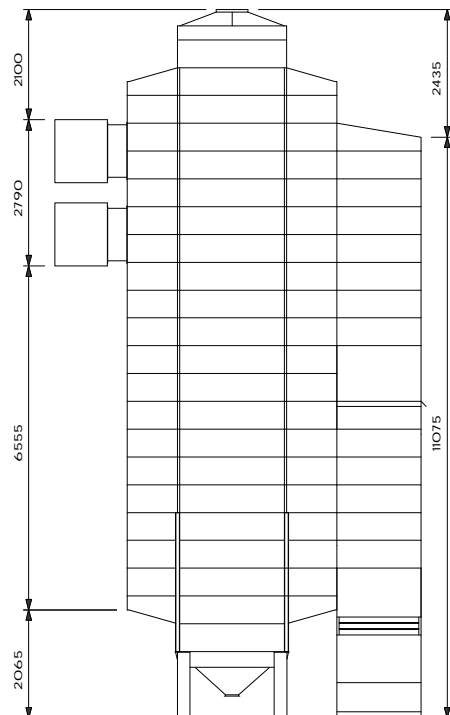
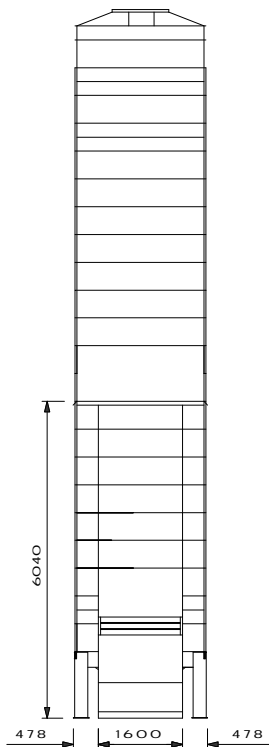
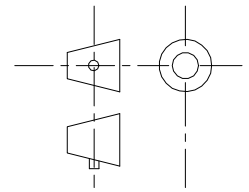
Project:  
N/A

© Kentra Grain Systems Limited  
Station Road, Kirk Hammerton, YORK YO26 8DN  
Tel: (01423) 330085 • Fax: (01423) 331347 • Email: info@kentra.co.uk

A3

DO NOT SCALE - IF IN DOUBT ASK

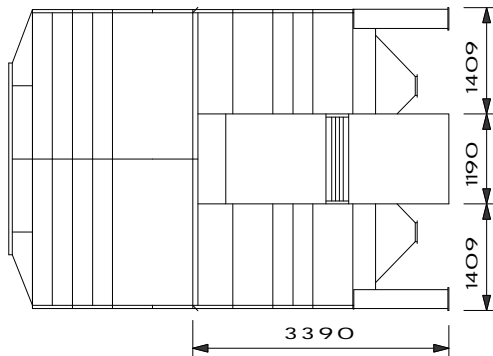
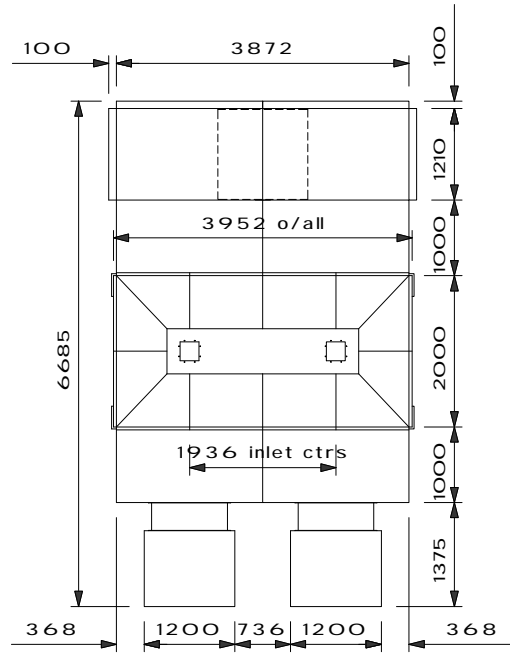
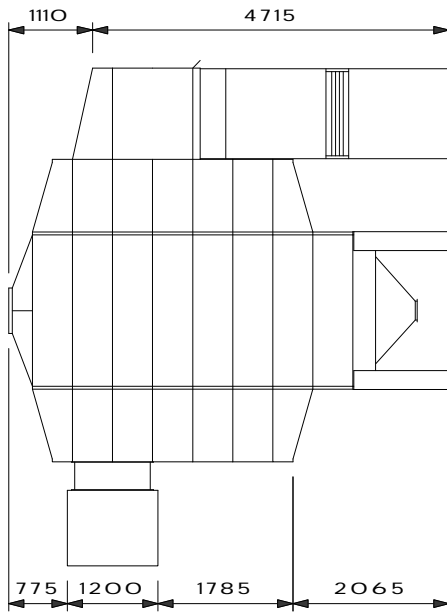
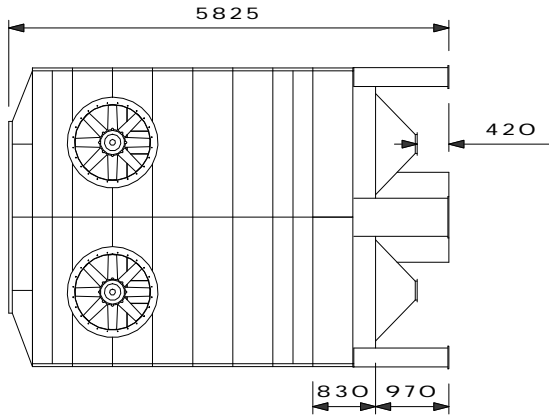
FIRST ANGLE PROJECTION

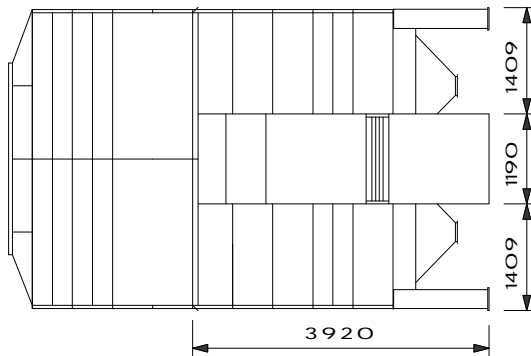
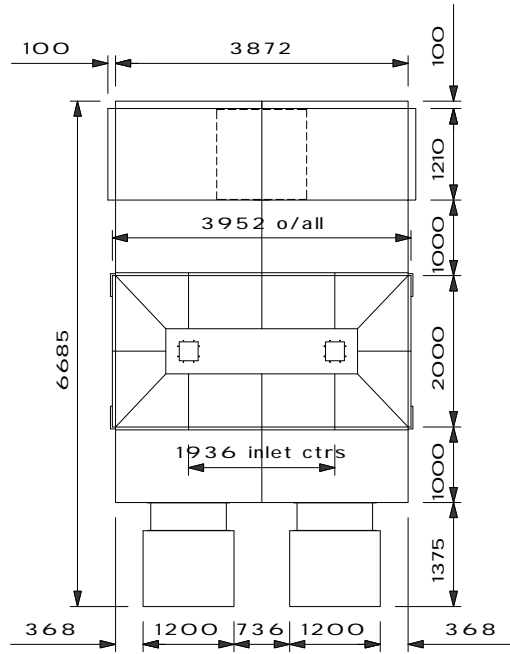
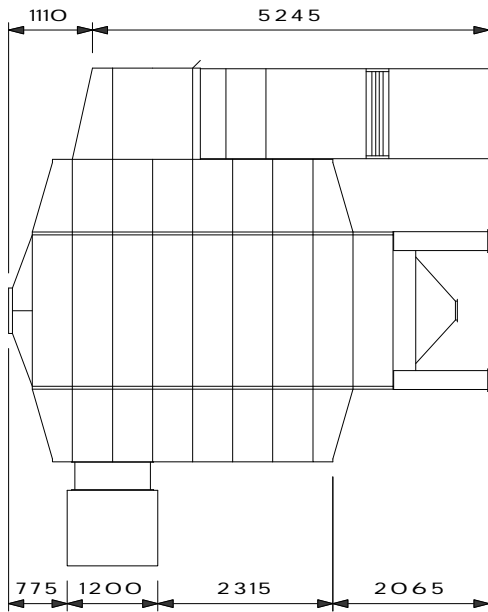
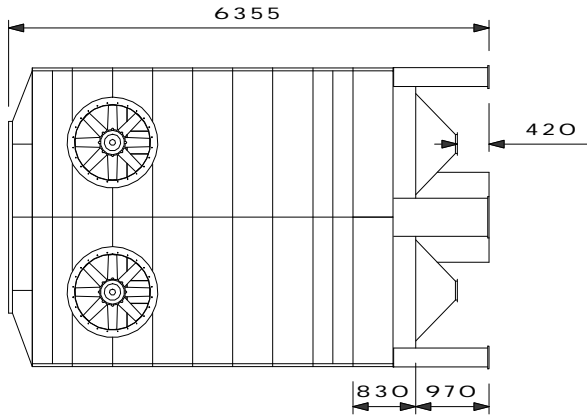


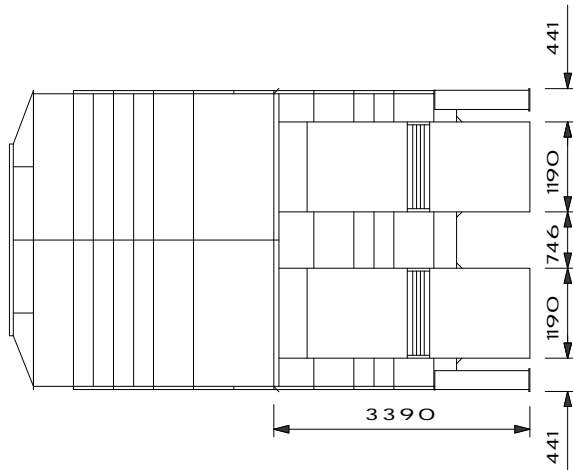
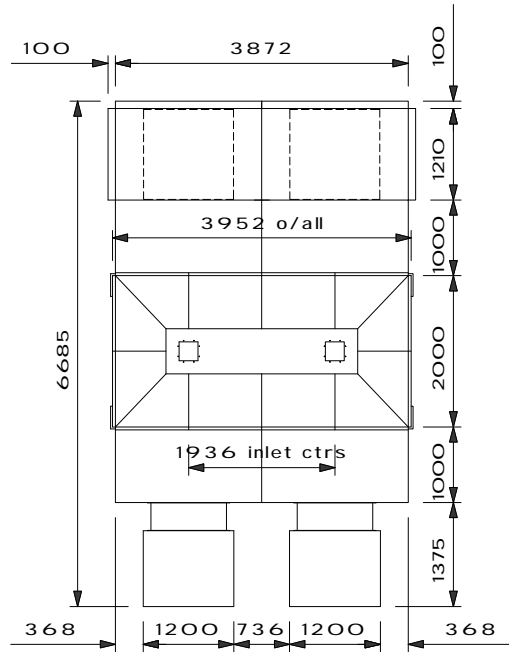
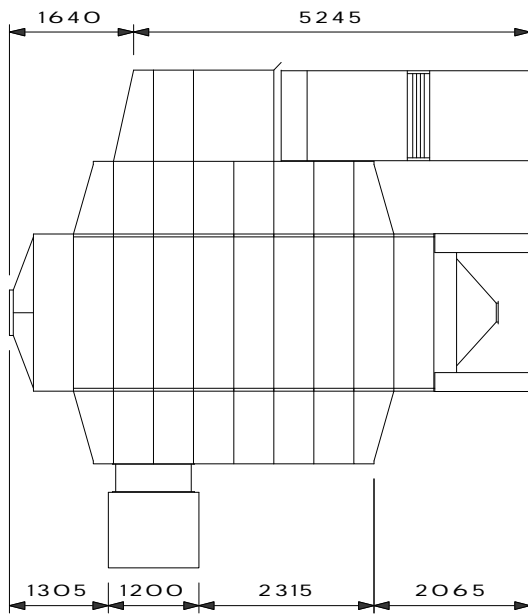
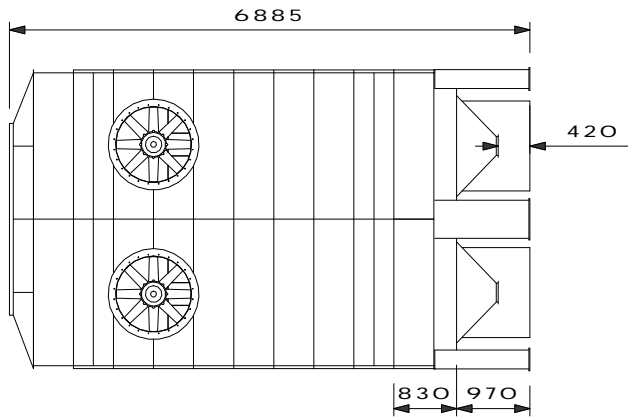
Finish:	N/A	
Material:	N/A	Scale: 1:100
Drawn by:	BJH	Drg No: N/A
Date:	16/11/2000	Rev No: 1.00

Title: Planning In Drawing 3425 Dryer	Project: N/A
--	-----------------

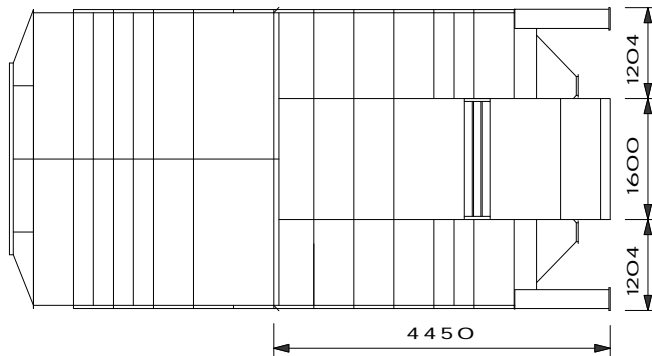
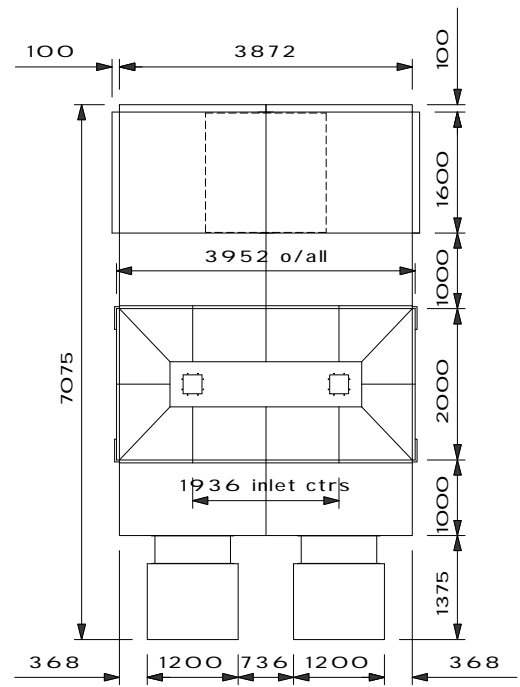
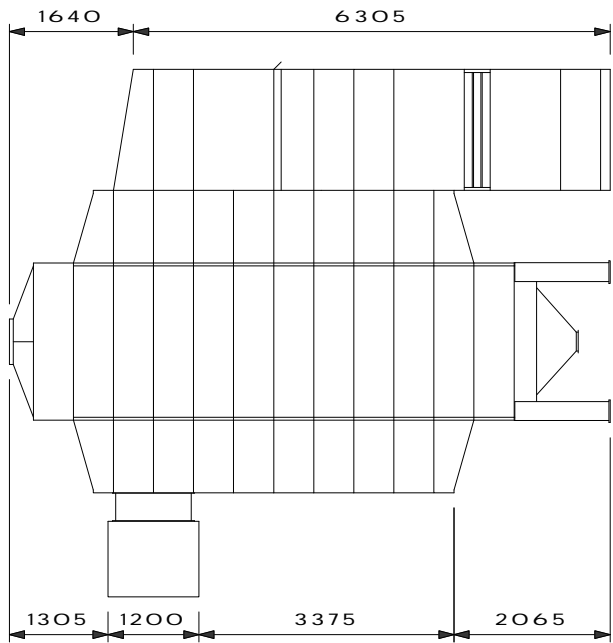
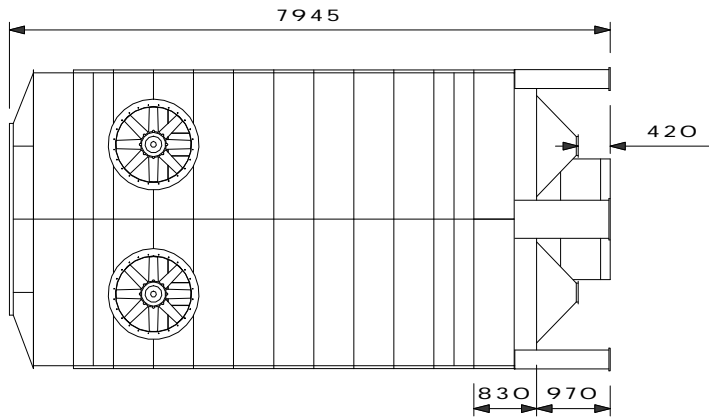
**© Kentra Grain Systems Limited**  
 Station Road, Kirk Hammerton, YORK YO26 8DN  
 Tel: (01423) 330085 • Fax: (01423) 331347 • Email: info@kentra.co.uk

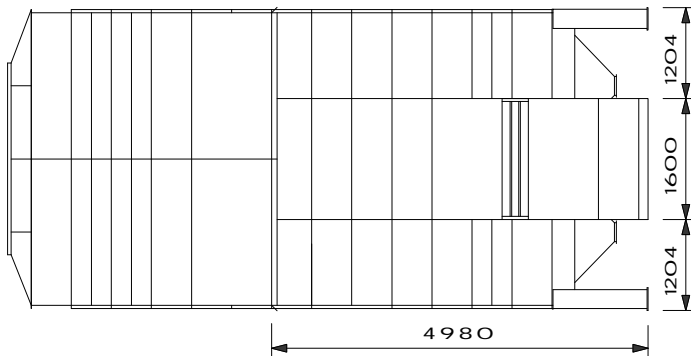
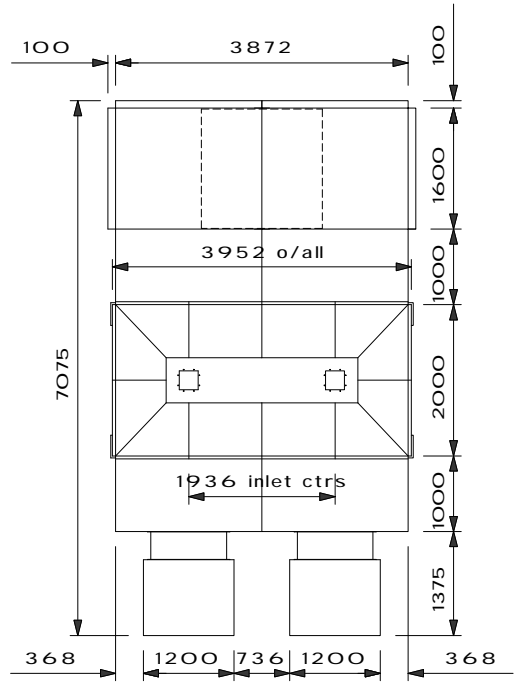
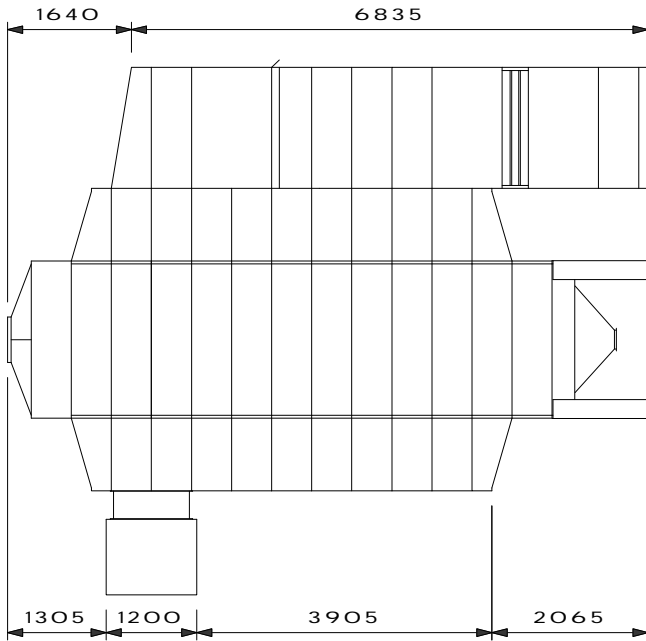
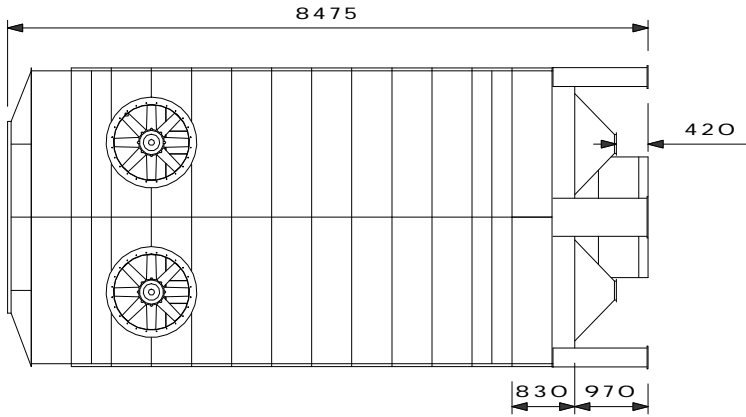


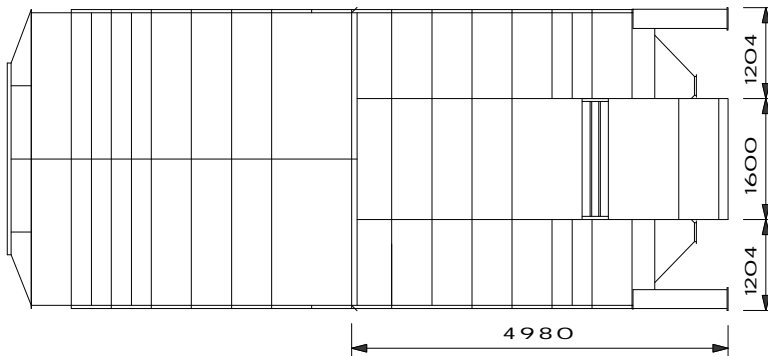
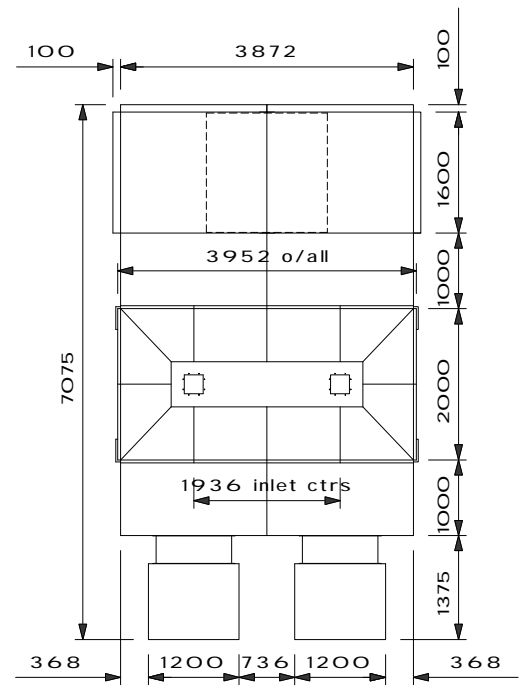
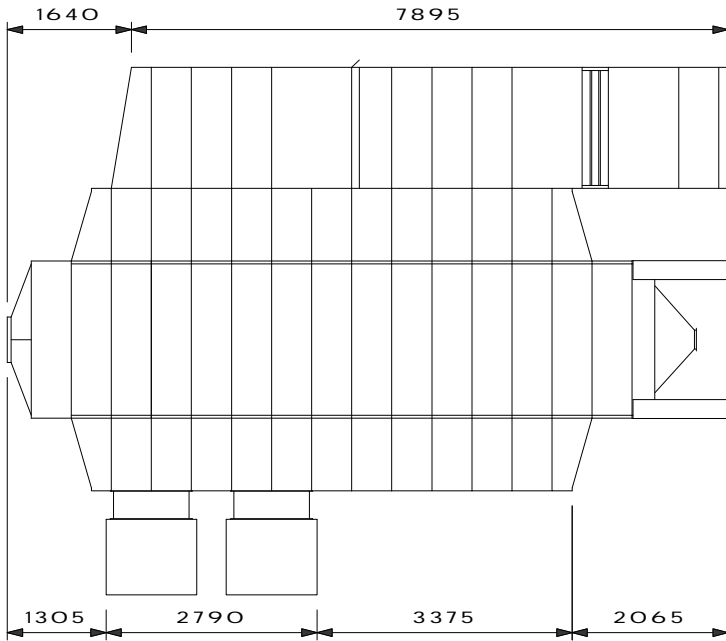
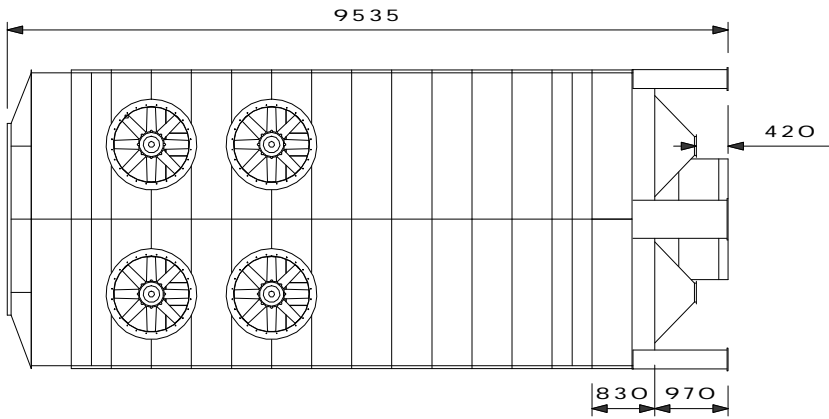




DO NOT SCALE - IF IN DOUBT ASK

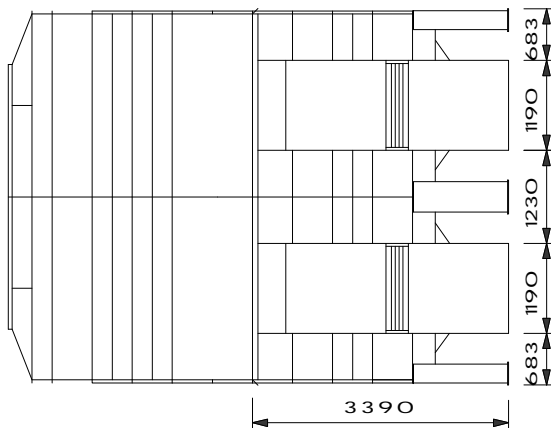
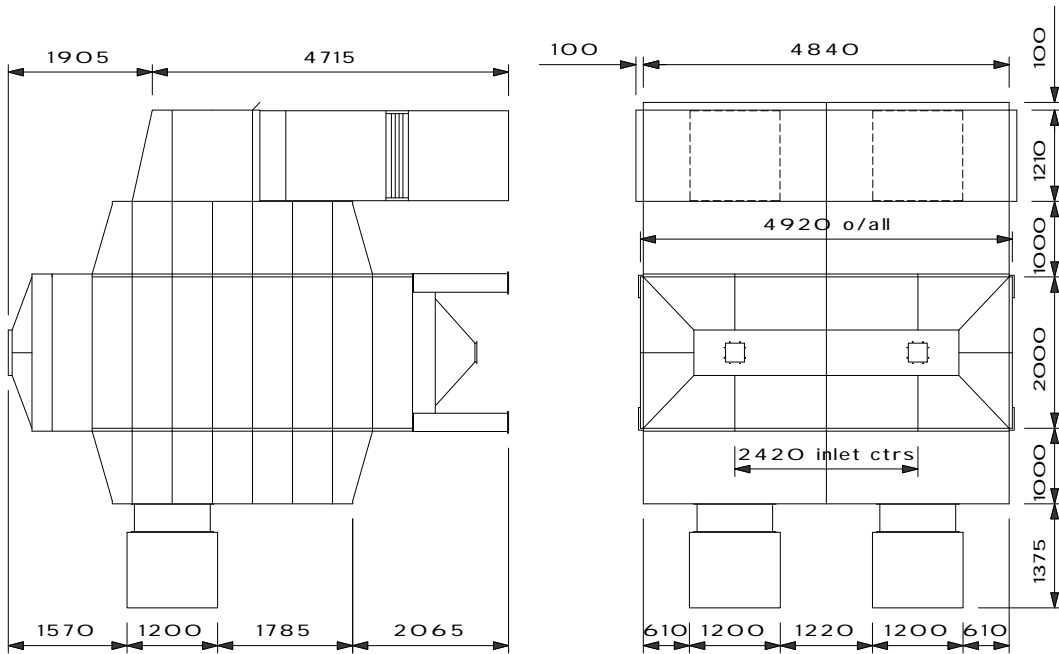
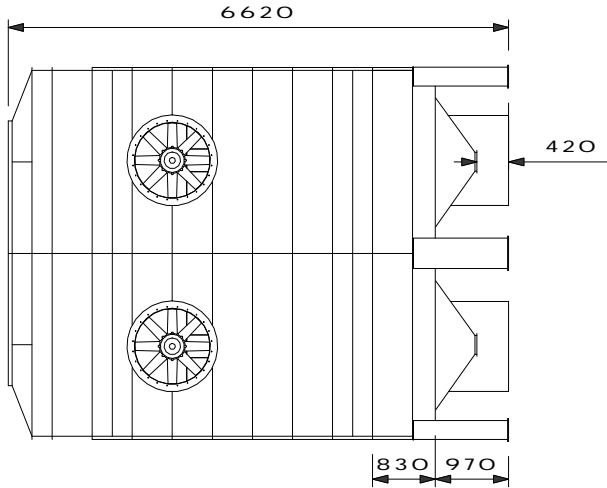


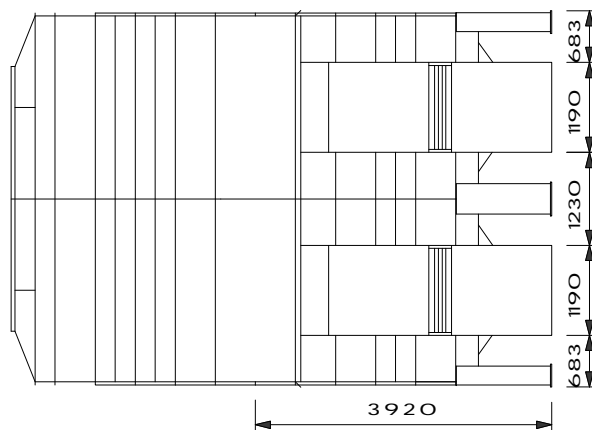
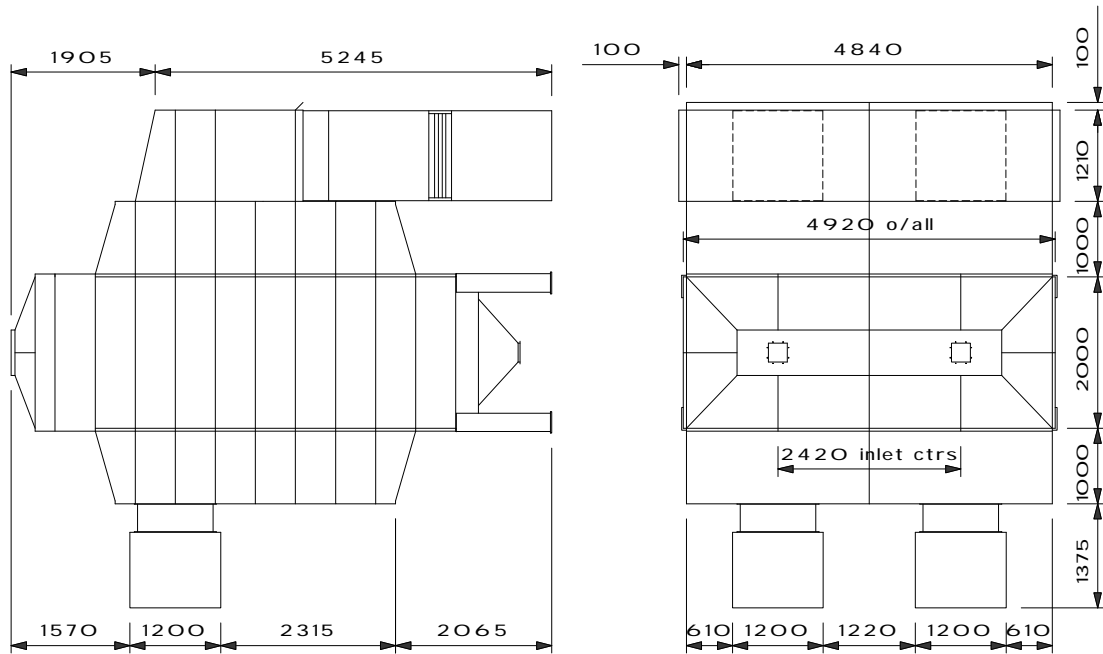
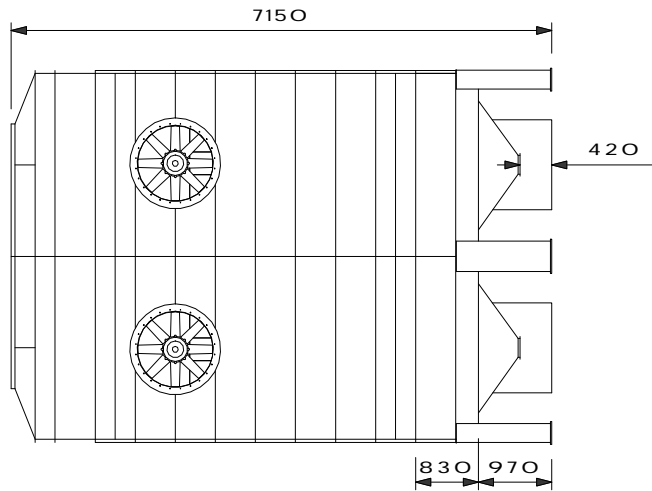




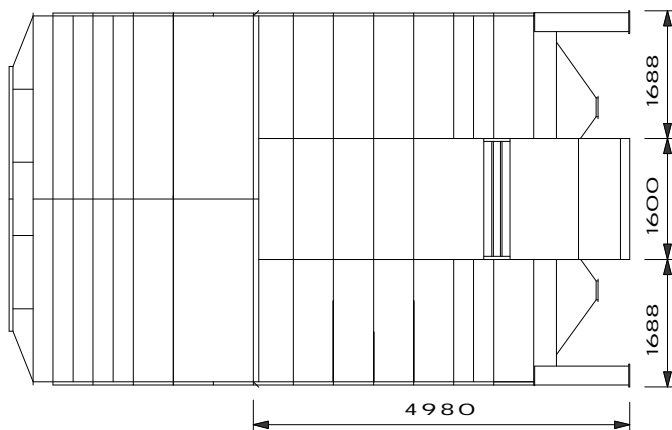
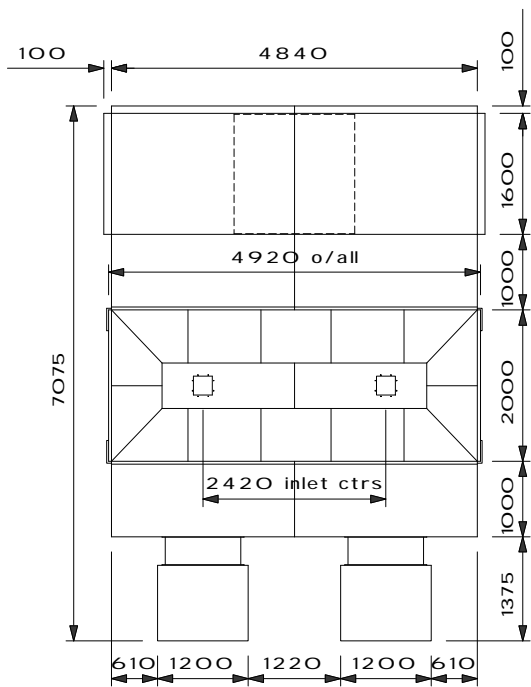
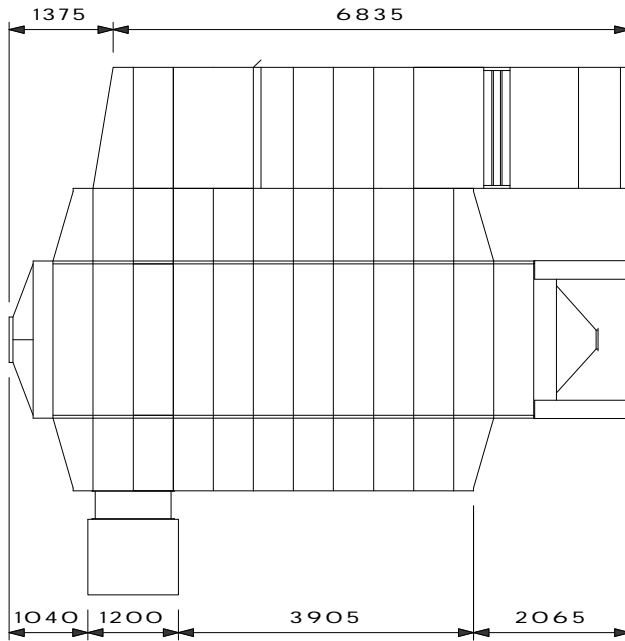
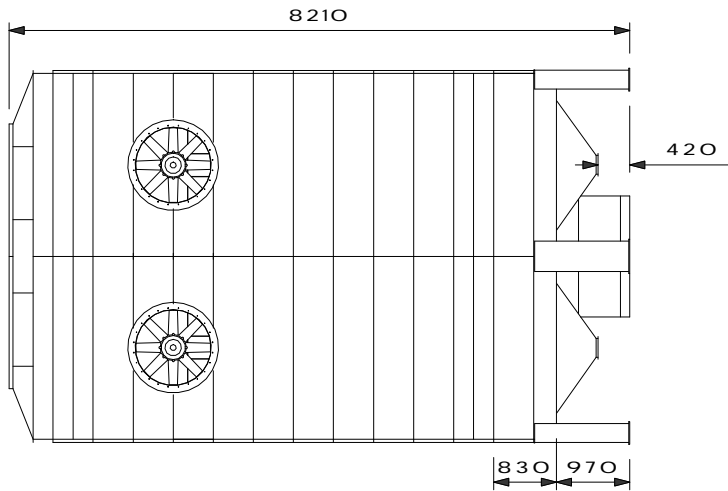
DO NOT SCALE - IF IN DOUBT ASK







DO NOT SCALE - IF IN DOUBT ASK



DO NOT SCALE - IF IN DOUBT ASK

Planning-in Drawing:

Dryer Model 3250 Special Version  
Twin Furnaces type 1200

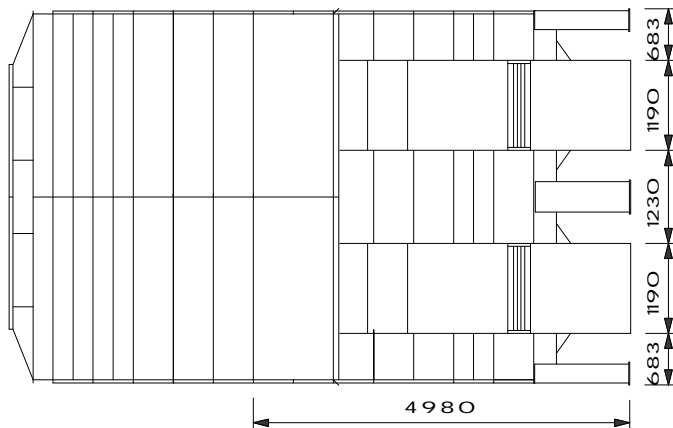
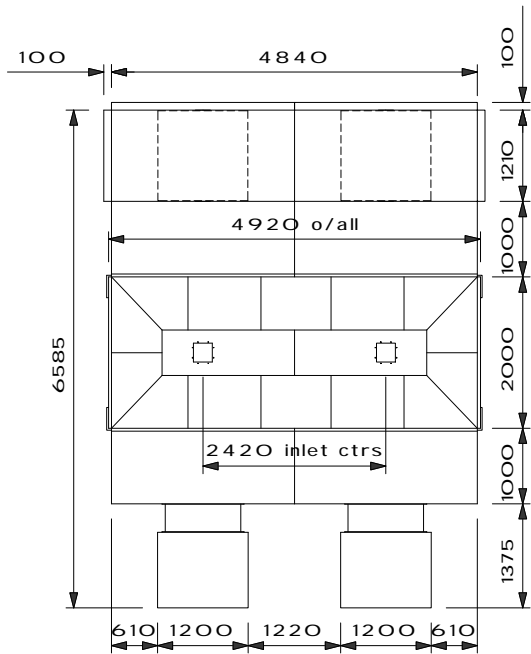
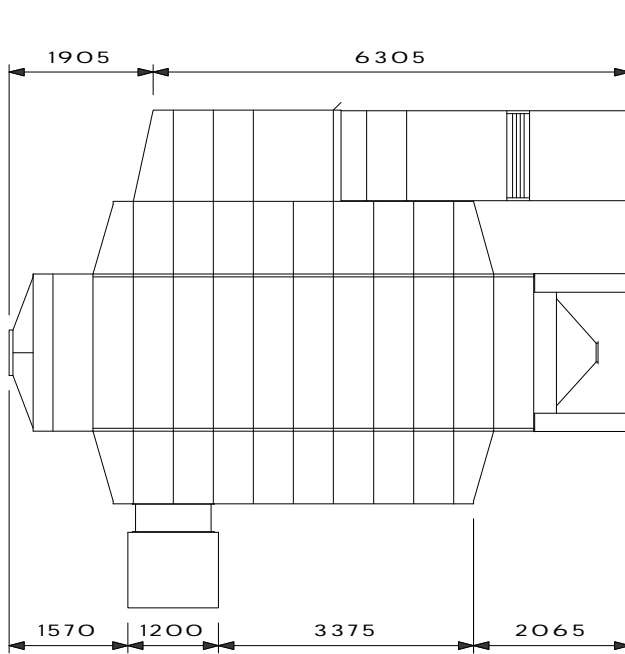
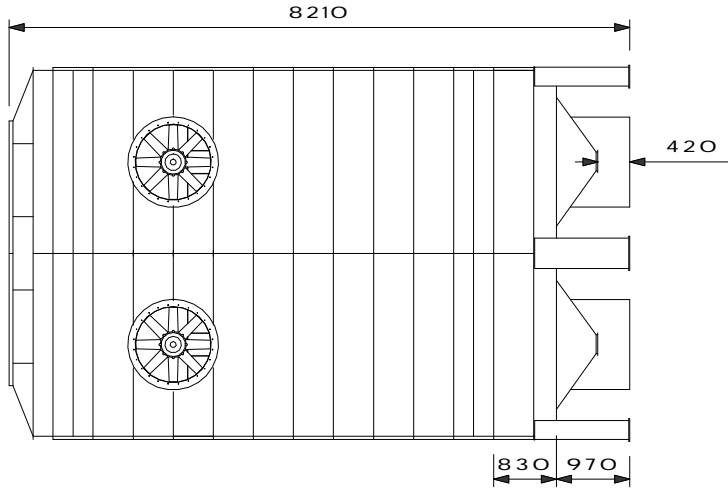
© Kentra Grain Systems Limited

Station Road, Kirk Hammerton, YORK YO26 8DN  
Tel: (01423) 330085 • Fax: (01423) 331347

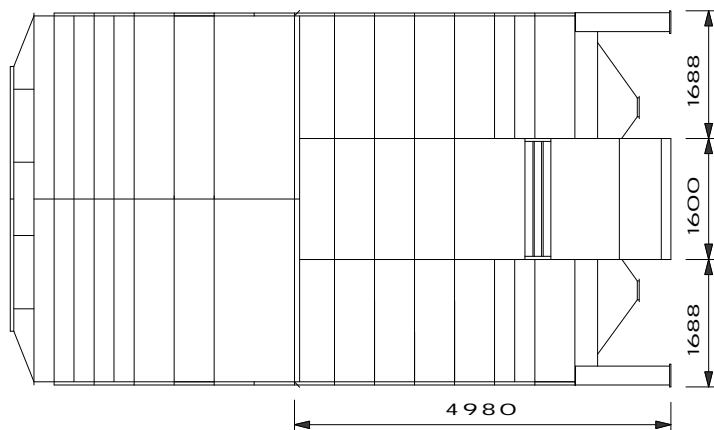
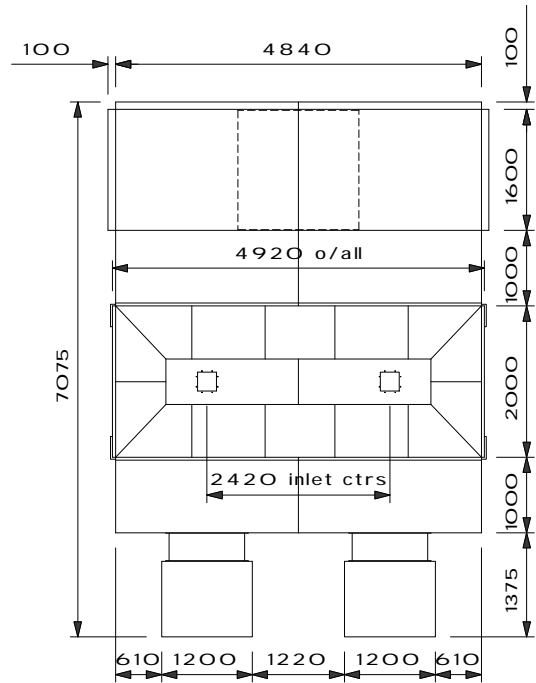
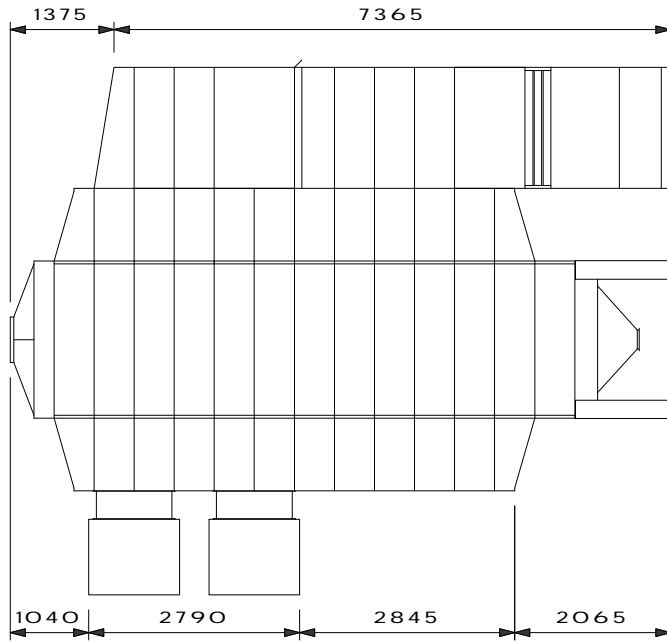
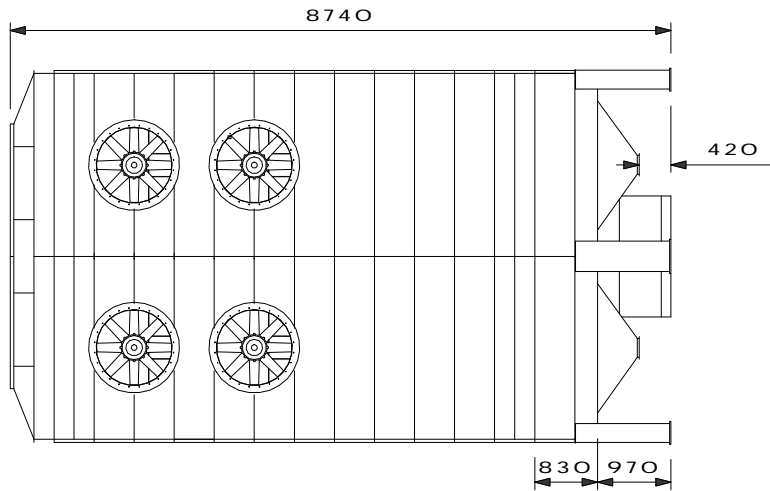
Scale: 1:100

Date: 18/11/1999

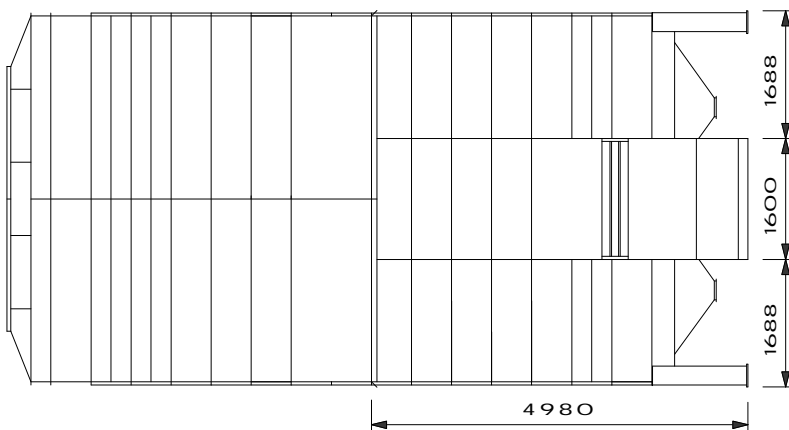
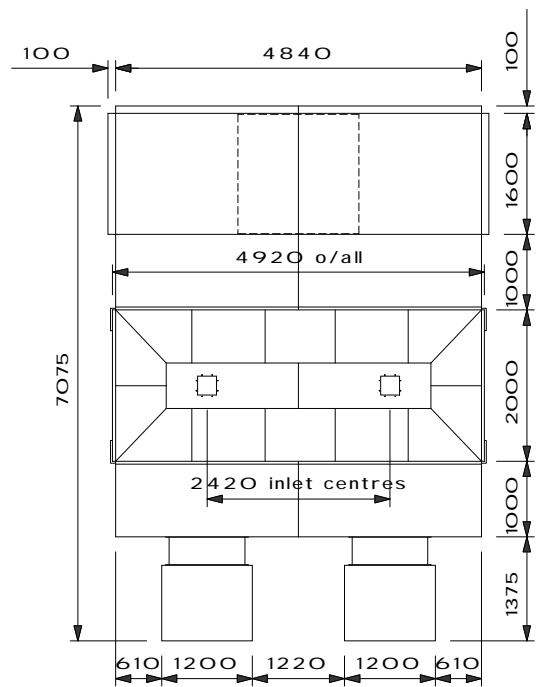
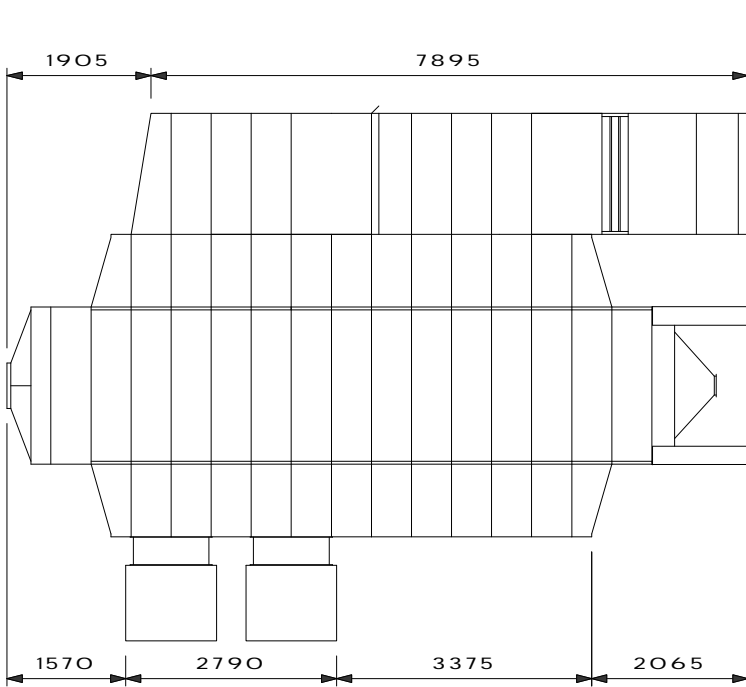
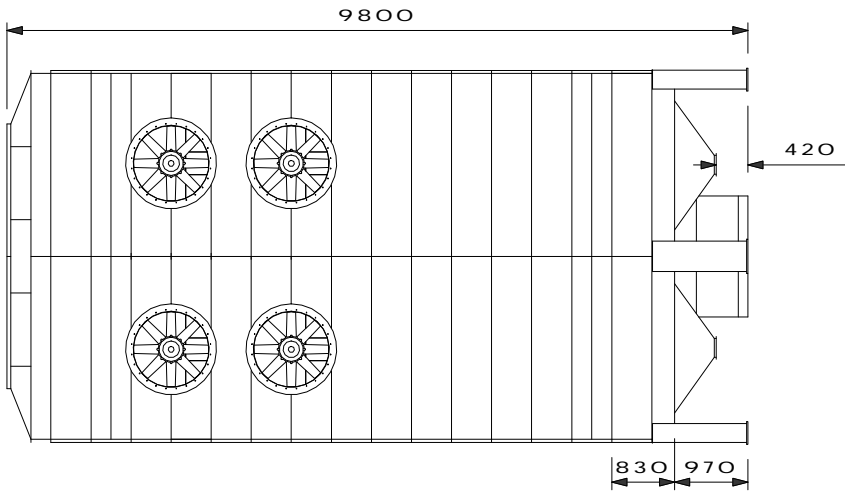
ORIGINAL  
A4  
SIZE

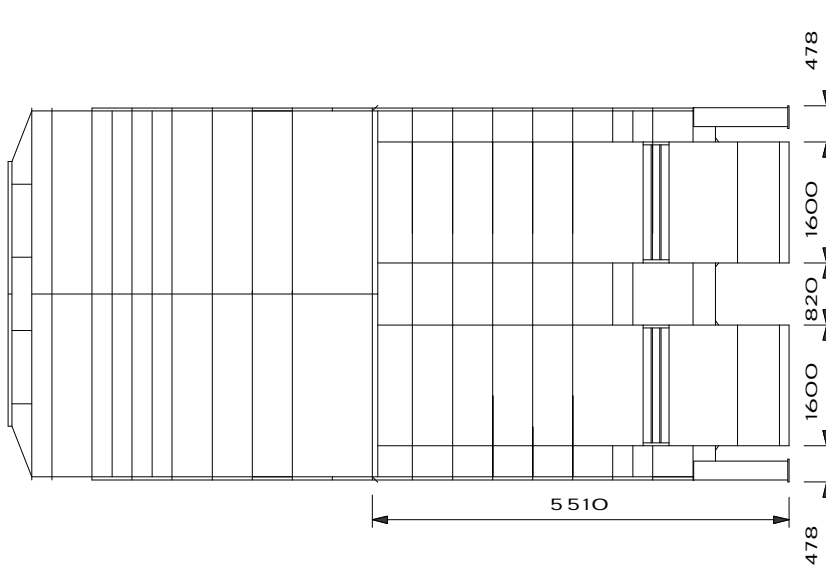
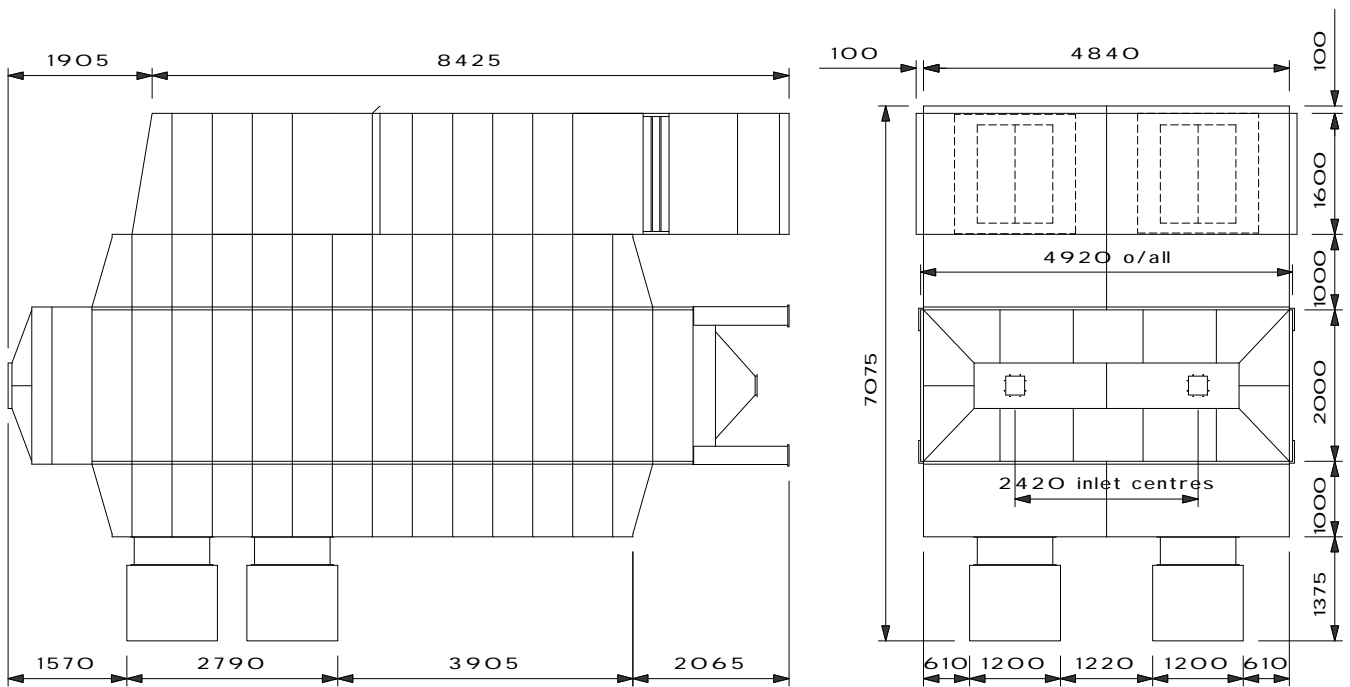
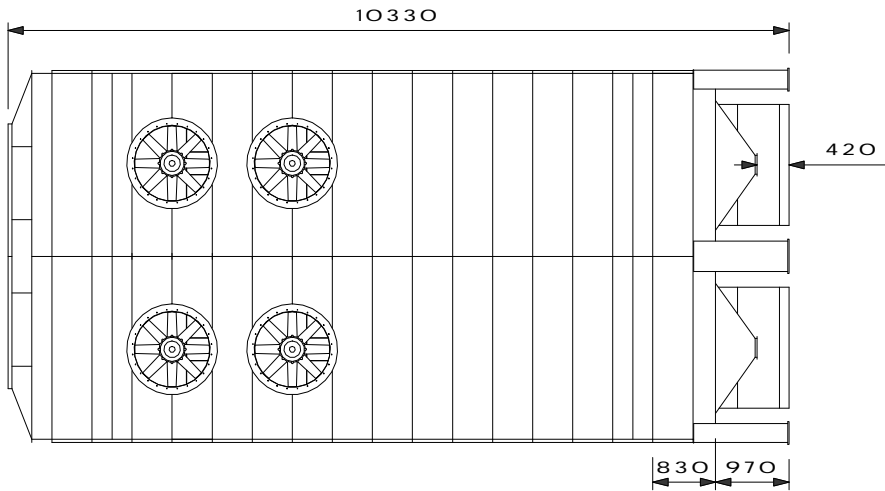


DO NOT SCALE - IF IN DOUBT ASK



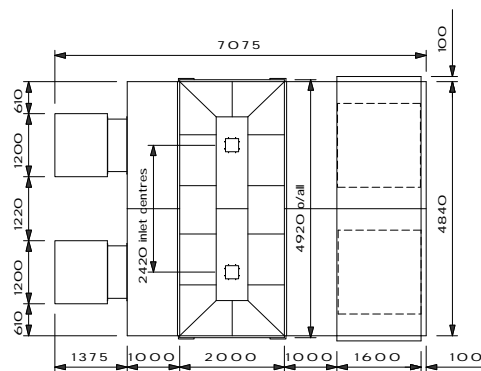
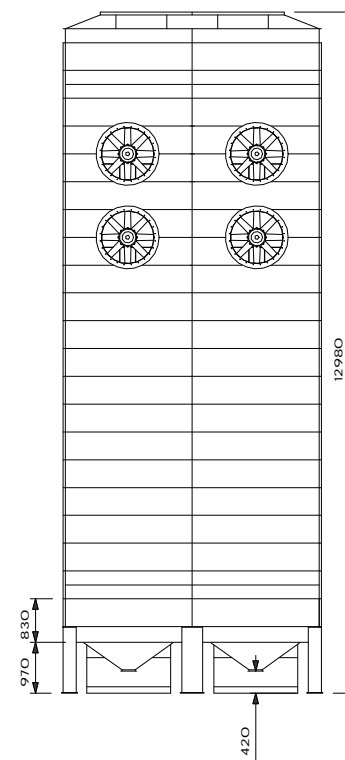
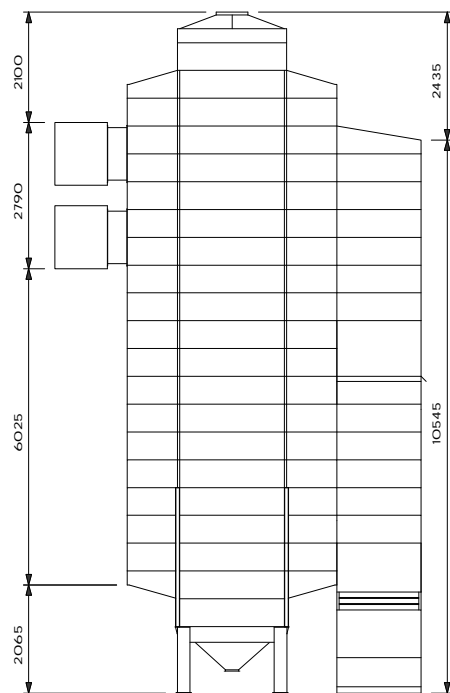
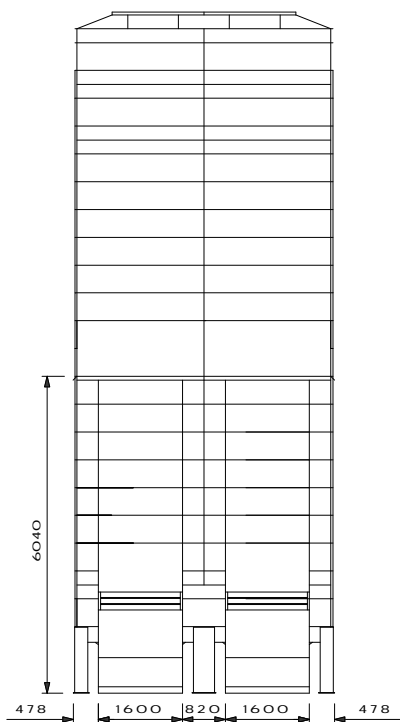
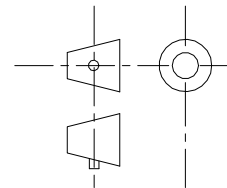
DO NOT SCALE - IF IN DOUBT ASK





DO NOT SCALE - IF IN DOUBT ASK

FIRST ANGLE PROJECTION



Finish:	N/A	
Material:	N/A	Scale: 1:100
Drawn by:	BJH	Drg No: N/A
Date:	26/06/2000	Rev No: 1.00

Title:  
Planning In Drawing 6350 Dryer

Project:  
N/A

© Kentra Grain Systems Limited

Station Road, Kirk Hammerton, YORK YO26 8DN  
Tel: (01423) 330085 • Fax: (01423) 331347 • Email: info@kentra.co.uk

A3

